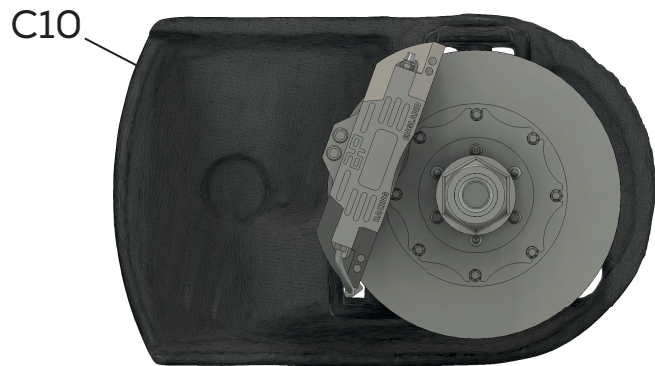
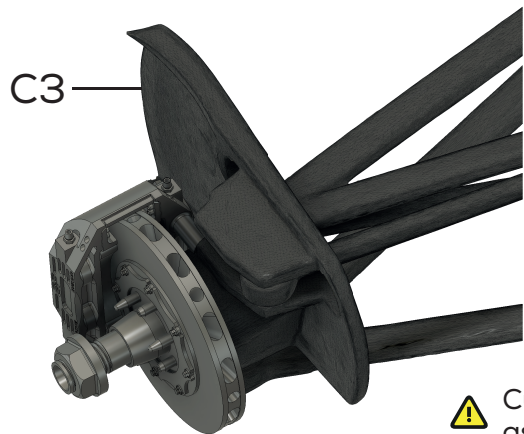
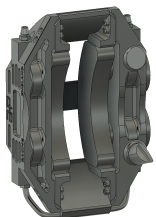
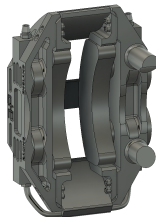


Use all other kit parts as described in the instruction. No changes required.
For better insert of the center nut, it can help to enlarge the hole to approx. $\varnothing 2\text{mm}$.

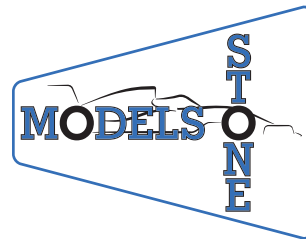


Cut off the pins on hub for wheel assembly and use the additional wheel nuts.

Left Front



Left Rear



COPYRIGHT © 2024
by STONE Models

A076/2024